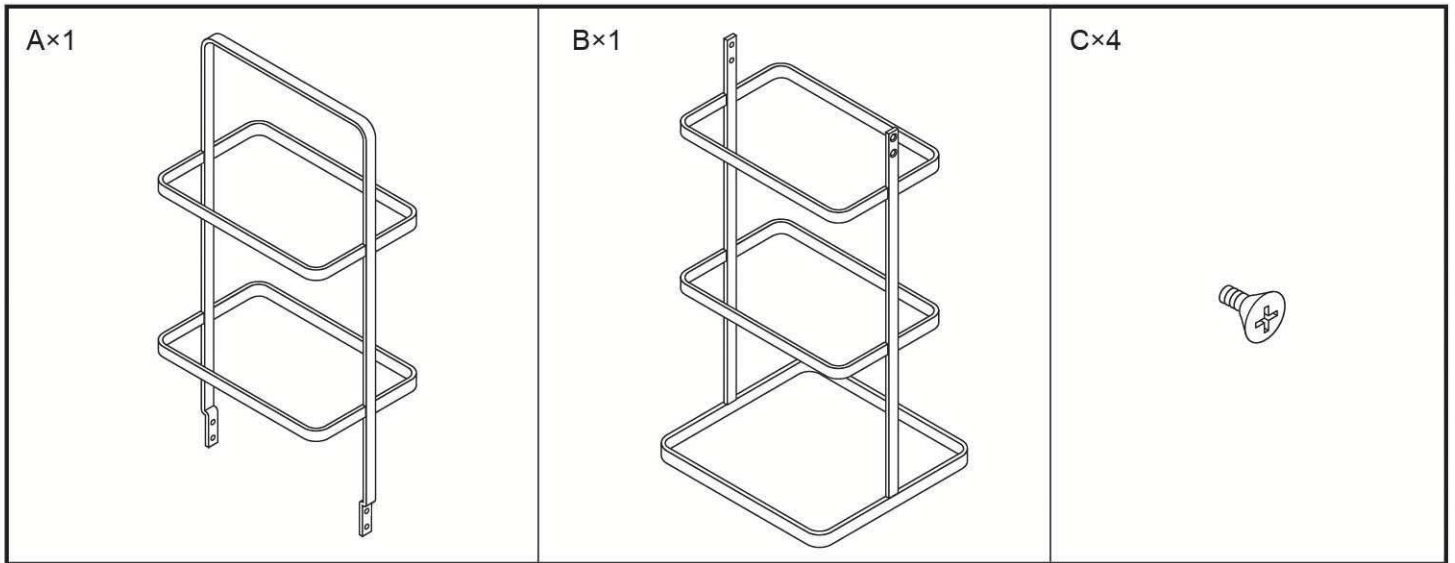


SHOE STAND

Thank you for purchasing this product. Please read the instructions carefully before use to ensure safe and satisfactory operation of this product.

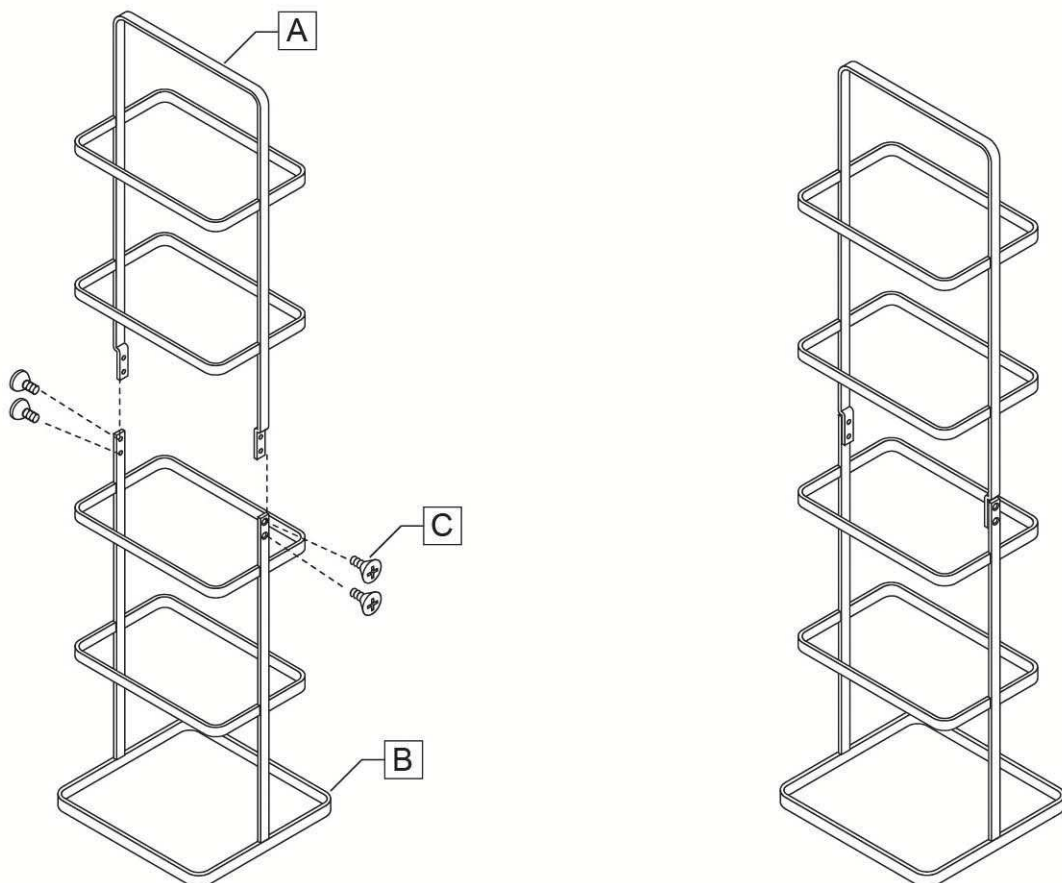
Pack contents

Please check you have all the parts before beginning assembly.



Fitting instructions

Assemble as per the diagram below.



WARNING!

Max loading weight 1kgs×5

The fittings pack contains small items which should be kept away from young children.

Care and maintenance

Wipe clean with a soft, damp cloth. Do not use scourers or cleaning agents containing abrasives. (such as powder cleaners), as this will damage the surface finishes.